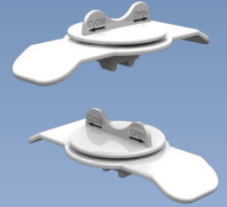
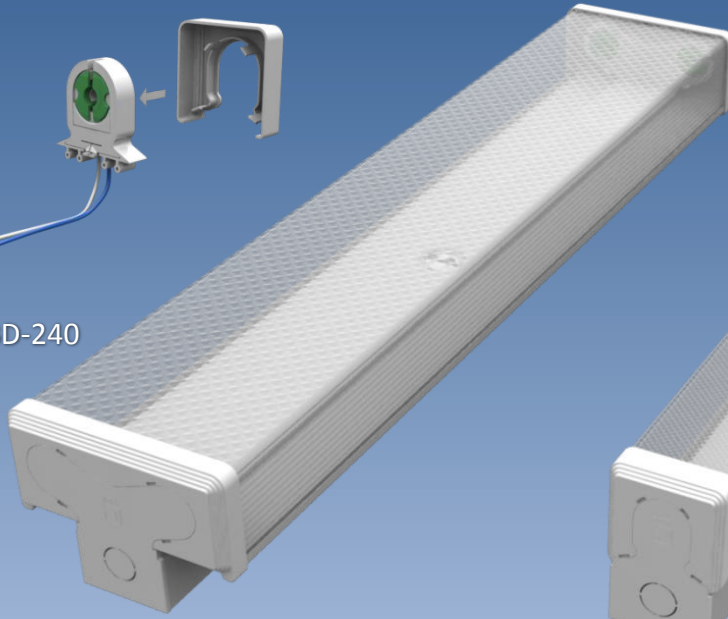
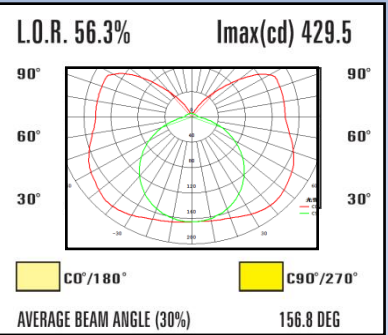
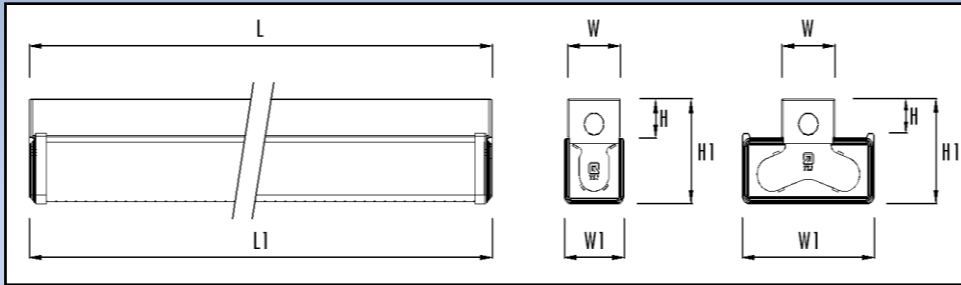
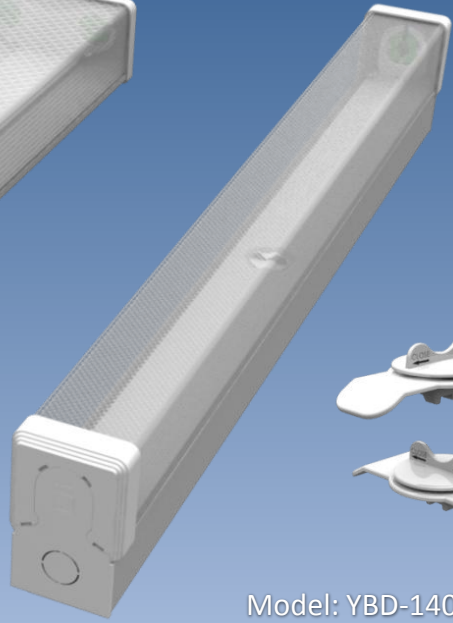




Model: YBD-240



Model: YBD-140



Model	Lamp	L (mm)	L1 (mm)	W (mm)	W1 (MM)	H (mm)	H1 (mm)
YBD-140	1 x 36W	1250	1250	53	60	35	93
YBD-240	2 x 36W	1250	1250	53	133	30	93
YBD-120	1 x 18W	618	618	53	60	35	93
YBD-220	2 x 18W	618	618	53	133	30	93

Specification:

Material .
Epoxy powder coating finishing.
Polycarbonate material in End Caps,
Lamp Holder, Screwless cover lock.

Lamp Position .
Horizontal

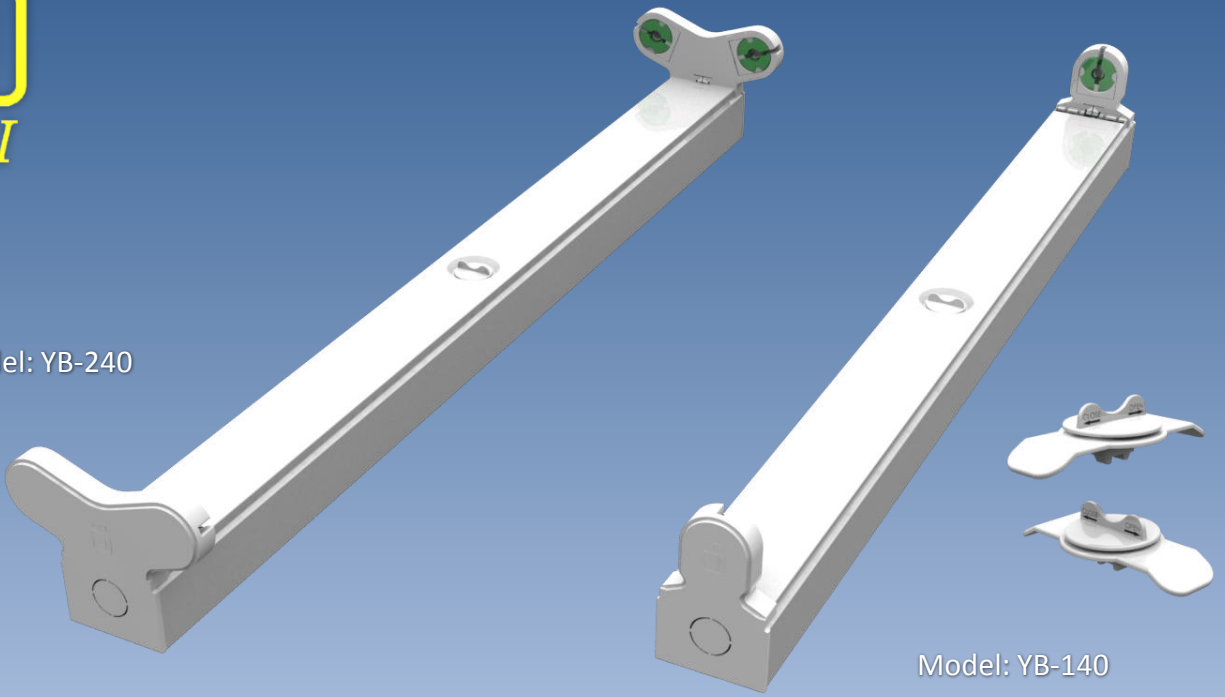
Protection Class
IP 20

Lamp Type
1 x 36 Fluorescent Lamp
2 x 36 Fluorescent Lamp

Available Colour
White

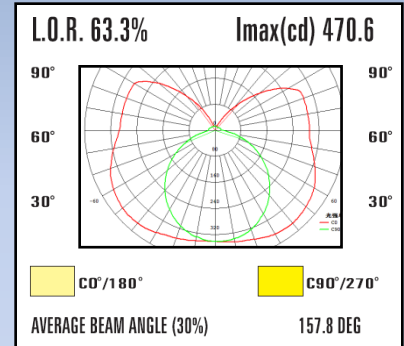
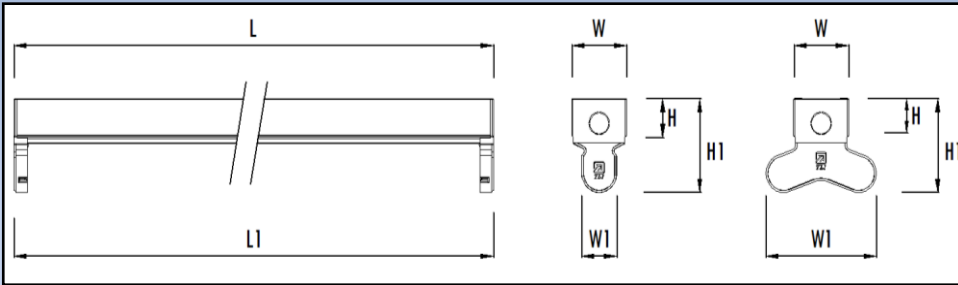
Features:

- Designed for reduce glare and control light distribution, thereby give a comfortable illumination.
- Fasten-on end cap a group with lamp Holder & improved cover lock for easy maintenance.
- Available in single and Double with square design for requirements of different occasions.
- Suitable for commercial environments.
(ex: corridor, lobby, kitchen, retail outlet, waiting hall & other public area)



Model: YB-240

Model: YB-140



Model	Lamp	L (mm)	L1 (mm)	W (mm)	W1 (MM)	H (mm)	H1 (mm)
YB-140	1 x 36W	1250	1250	53	34	35	84
YB-240	2 x 36W	1250	1250	53	106	30	84
YB-120	1 x 18W	618	618	53	34	35	84
YB-220	2 x 18W	618	618	53	106	30	84

Specification:

Material .
Epoxy powder coating finishing.
Polycarbonate material in End Caps,
Lamp Holder, Screwless cover lock.

Lamp Position .
Horizontal

Protection Class
IP 20

Lamp Type
1 x 36 Fluorescent Lamp
2 x 36 Fluorescent Lamp

Available Colour
White

Features:

- Designed for reduce glare and control light distribution, thereby give a comfortable illumination.
- Available in single and Double design for requirements of different occasions.
- Suitable for commercial environments. (ex: corridor, lobby, kitchen, retail outlet, waiting hall & other public area)