

**OASIS FL SERIES LED FLOOD LIGHTS**

**MODEL: OS FL Series**



**OS HL-6000-7xx-xxx Series**

**Specifications & Technical Data**

**Luminaires:**

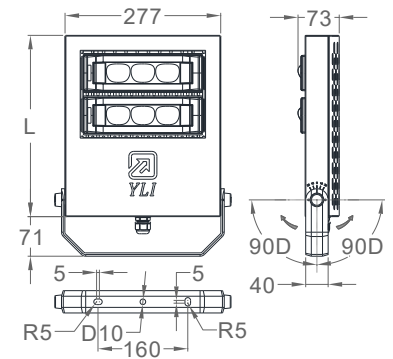
- Aluminium Housing & Bracket
- Built-In Gear Chamber
- Pre-Connected With 105°C HR PVC Cable
- Cable Gland Entry
- Weatherproof Connecting Devices
- Electrostatically Polyester Powder Coated
- Surface Mounted

**Areas of Application:**

- Warehouse, Factory, Outdoor, Parks,
- Area With High Ceilings, Patios,
- Backyard, Public & Commercial Building

**Replace:**

- 100W** to Replace **1x200W** Metal Halide Lamp
- 150W** to Replace **1x300W** Metal Halide Lamp
- 200W** to Replace **1x400W** Metal Halide Lamp



Model	No. of LED Modules	System Lumen (lm)	System Power (W)	System Current (A)	OASIS LED Module HL-6000 Series	SOSEN LED Driver (AC 220-240V, 50/60Hz, PF 0.90)	Weight (KG)	Dimension L (mm)
OS FL-2	2	13000lm	100W	0.44A	2 x OS HL-6000-7xx-xxx	1 x SOSEN SS-100GA-E143B	2.7	325
OS FL-3	3	19500lm	150W	0.62A	3 x OS HL-6000-7xx-xxx	1 x SOSEN SS-150GA-E215B	3.3	400
OS FL-4	4	26000lm	200W	0.82A	4 x OS HL-6000-7xx-xxx	1 x SOSEN SS-200GA-E286B	4.0	475

OASIS LED Module HL-6000 Series	Current (mA)	Luminous Flux (lm)	Power (W)	Voltage (V)	CCT (K)	CRI (Ra)	SDCM	Max. Temp. at tc (°C)	Lifespan (Hrs)
OS HL-6000-7xx-xxx	960mA	6500lm	47W	49V	6500K	≥ 70	≤ 5	95°C	50000Hrs